

# Power Windows

## FORD MOTOR CO.

### DESCRIPTION

Power windows are operated by reversible type motors mounted with each individual window regulator. Each window has an individual switch for separate control. A master control switch is located on the left front door, and all windows may be controlled from this switch. A lock out switch is incorporated in the master switch and when actuated prevents window operation from the individual switches. A relay prevents window operation unless the ignition switch is in the ON or ACC position.

### TESTING

#### WINDOW MOTOR

With motor and drive assembly removed from vehicle, connect a fully charged battery to motor with an ammeter connected in series. Current draw for this no load test should not exceed 5 amps. at 12.8 volts, and should not fluctuate. Reversal of battery connections will reverse motor rotation and current draw should be the same. Motor must be replaced if current draw exceeds specifications.

#### MASTER WINDOW SWITCH

1) Test procedures are performed using a self powered test light or ohmmeter. All test procedures are performed with switch removed from vehicle. See illustration for reference to pin numbers referred to in test procedures.

2) Connect one test lead probe to pin three, which is grounded. With all switches in neutral position, pins four through eleven should have continuity with pin three.

3) Push any one of all four switches forward. All odd numbered pins of switch pushed forward should lose continuity with pin three.

4) Push any one of all four switches rearward and all even numbered pins (four through ten) of switch pushed rearward should lose continuity with pin three.

5) Remove test lead probe from pin three and connect to pin two. With all switches in neutral position, only pin one should have continuity with pin two.

6) Push any one of all four switches forward and hold in that position. All odd numbered pins of switch pushed forward should have continuity with pin two.

7) Push any one of all four switches rearward and hold in that position. All even numbered pins of the switch pushed rearward should have continuity with pin two. If any one switch does not test correctly, as previously outlined, switch must be replaced.

#### SINGLE WINDOW SWITCH

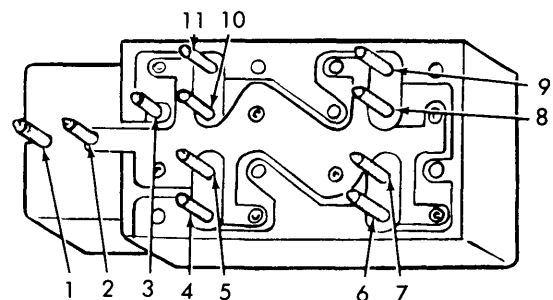
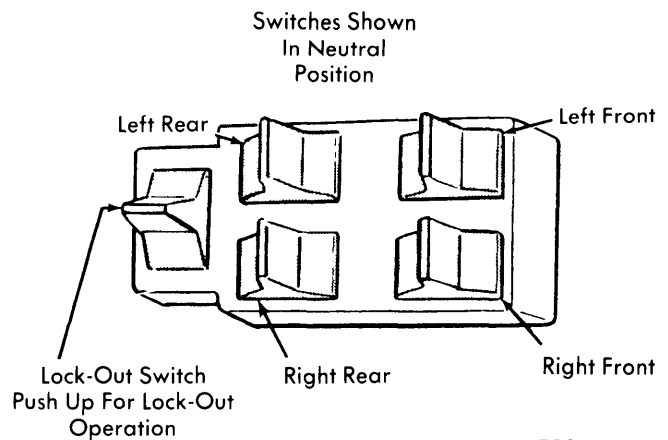
**NOTE** — Torino, Elite, Montego and Cougar models use two single switches as a master switch instead of multiple master switch. Switches are tested using single window switch procedure.

1) Test procedures are performed using a self powered test light or ohmmeter. All tests are performed with switch removed from vehicle. See illustration for reference to pin numbers referred to in test procedures.

2) With switch removed and in neutral position, there should be continuity between pins one and three, two and five, and four and six.

3) With switch pushed down, there should be continuity between pins two, four and five, and one and three. Pin six should be disconnected from all others.

4) With switch pushed up, there should be continuity between pins two, three and five, and four and six. Pin one should be disconnected from all others. If switch does not test correctly, as previously outlined, switch must be replaced.



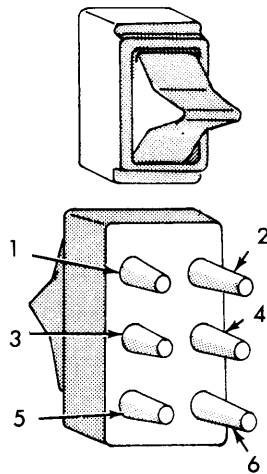
- 1 — Lock-Out Terminal
- 2 — Hot Feed W/Ignition On
- 3 — Ground Terminal
- 4 & 5 — Left Rear Motor Term.
- 6 & 7 — Left Front Motor Term.
- 8 & 9 — Right Front Motor Term.
- 10 & 11 — Right Rear Motor Term.

#### POWER WINDOW MULTIPLE MASTER SWITCH PIN CONNECTIONS & NUMBERS

#### WINDOW RELAY

With one test lamp lead connected to relay output side and ignition in "ON" or "ACC" position, test lamp should light. If lamp does not light, check continuity of wiring harness from ignition switch to actuating terminal on relay. Check voltage at input terminal. If wiring and voltage are good, replace relay.

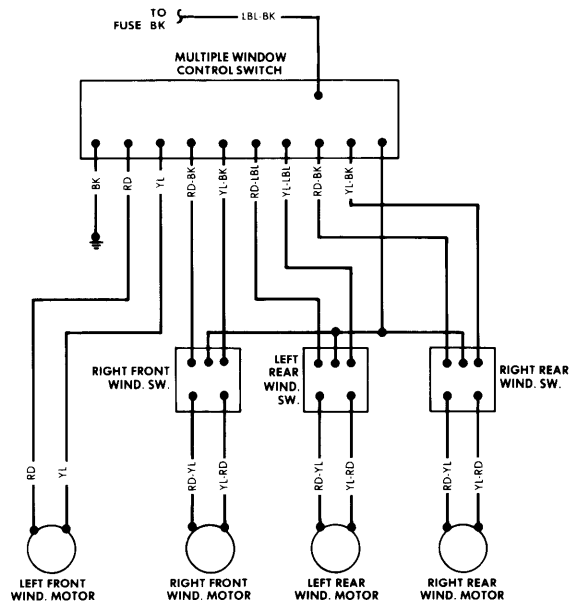
## FORD MOTOR CO. (Cont.)



4FO02

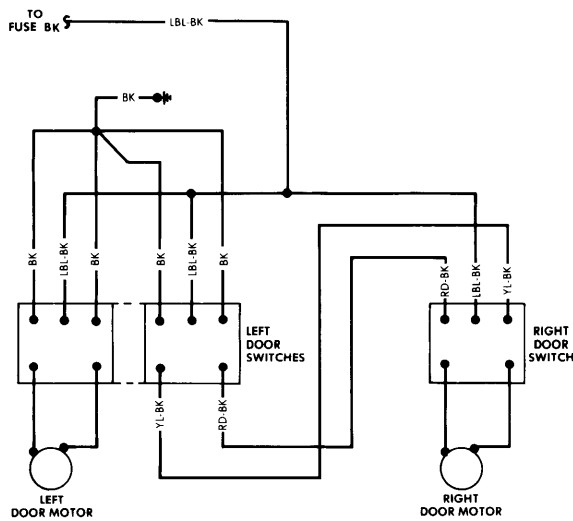
- 1 — Hot Feed Or Ground From Master Switch.
- 2 — Hot Feed Single Switch
- 3 — Up Motor Term.
- 4 — Down Motor Term.
- 5 — Hot Feed
- 6 — Hot Feed Or Ground From Master Switch.

### POWER WINDOW SINGLE SWITCH PIN CONNECTIONS & NUMBERS

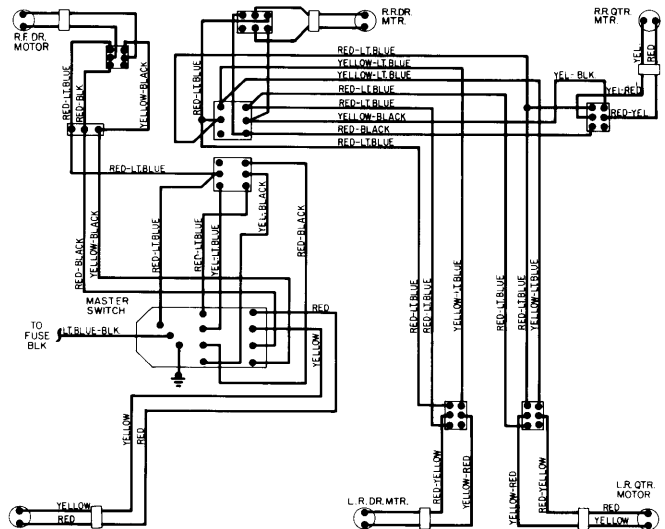


5FO02

### GRANADA, MONARCH, TORINO & MONTEGO 4DR. POWER WINDOW WIRING



5FO01



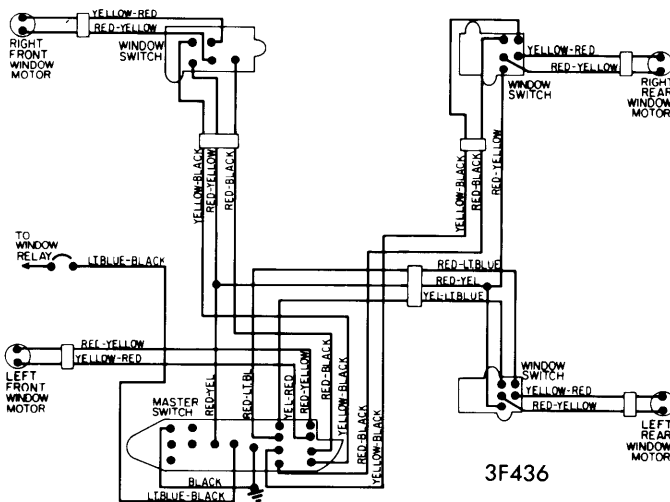
1F9024

### GRANADA, MONARCH, TORINO, MONTEGO, ELITE & COUGAR 2DR. POWER WINDOW WIRING

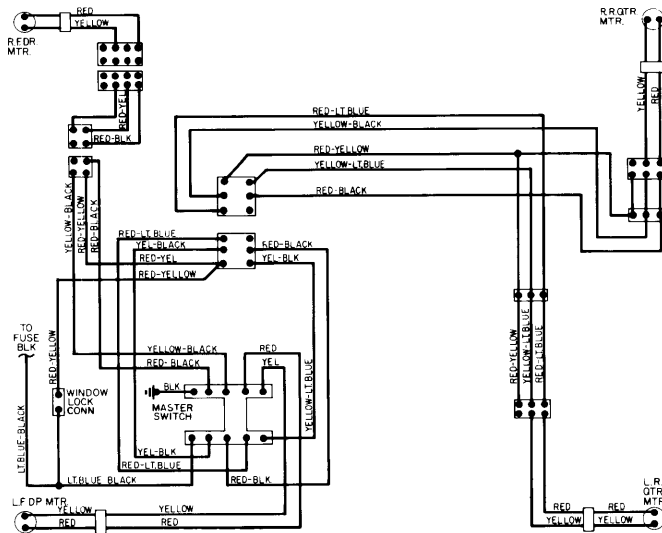
### FORD & MERCURY POWER WINDOW WIRING

# Power Windows

## FORD MOTOR CO. (Cont.)



LINCOLN CONTINENTAL POWER WINDOW WIRING



MARK IV & THUNDERBIRD  
POWER WINDOW WIRING

## REMOVAL & INSTALLATION

### POWER WINDOW SWITCH

**Granada, Monarch, Torino, Elite, Montego & Cougar** – Remove switch bezel retaining screw from bottom side of switch. Then pivot lower edge of bezel out and up. Switch is held in place by electrical contact pins. Carefully pry switch from connector with a small blade screwdriver. To install, reverse removal procedure.

**Ford, Mercury, Meteor, Mark IV, Thunderbird, Continental** – Remove screw from front of bezel, lift bezel and switch from arm rest. On driver's door, bezel and nut for remote control mirror must also be removed. Switch can then be separated from connector. To install, reverse procedure.

### FRONT DOOR WINDOW MOTOR & DRIVE

**NOTE** – For all models, remove trim panel, watershield and door mounted radio speakers (if equipped).

**All Models** – 1) If door is not equipped with access holes for motor and drive retaining screws, drill  $\frac{3}{4}$ " holes, using a hole saw, in door. Dimples located on inner door panel are used as guide for hole positioning. **CAUTION** – Window must be up when drilling holes and pilot drill on hole saw must not protrude more than  $\frac{1}{4}$ " beyond hole saw. Disconnect multiple connector at motor. Remove motor and drive retaining bolts and remove motor and drive.

2) To install motor and drive, reverse removal procedure. To ensure correct motor drive gear engagement to regulator, temporarily install motor to regulator with screws. Cycle motor and tighten screws after gears engage.

### REAR DOOR WINDOW MOTOR & DRIVE

**NOTE** – For all models, first remove rear door trim panel, watershield and support glass in up position before removing motor assembly.

**All Models** – Follow same procedure as outlined in front door window motor removal and installation.

### QUARTER WINDOW REGULATOR & MOTOR

**Thunderbird & Continental Mark IV** – 1) Motor and regulator are removed as an assembly. Remove quarter trim panel and water shield. Remove center pin from four regulator retaining rivets with a drift punch. Drill out rivets with a  $\frac{1}{4}$ " drill.

2) Disconnect regulator motor wires, disengage window regulator arm from drive arm bracket and remove regulator and motor assembly.

3) To install, reverse removal procedure. Install four suitable nut and retainer fasteners (Part No. 378622-S2) on regulator mounting plate at attaching holes. Install regulator assembly in panel and use  $\frac{1}{4} \times \frac{1}{2}$ " screws.

### POWER MINI-VENT WINDOW MOTOR & DRIVE

**Thunderbird, Continental Mark IV & Lincoln Continental** – 1) Remove door trim panel and water shield. Drill a  $\frac{3}{4}$ " access hole in dimple located at bottom edge of door opposite window motor drive. **CAUTION** – Hole saw pilot drill should not protrude more than  $\frac{1}{4}$ " beyond hole saw.

2) Disconnect multiple connector at motor. Remove motor and drive retaining screws through two existing holes and new hole just drilled. Separate motor and drive from regulator and remove from door.

3) To install motor and drive, reverse removal procedure. To ensure correct motor and drive gear engagement to regulator, temporarily install motor to regulator with screws. Cycle motor and tighten screws after gears engage.