

FORD MOTOR CO.

DESCRIPTION & OPERATION

All electrically operated power roofs have a sliding glass panel. A halo moulding frames the sliding moon roof panel, and a manually operated shade is provided for blocking sunlight. The control switch is located in the headlining and operates a reversible motor. Drive cables push or pull both sides of the roof panel. The moon roof can be manually operated by inserting a hand crank into the access plug opening located between the windshield and the front of the moon roof.

NOTE — Some models may have a metal roof panel rather than glass panel.

ADJUSTMENT

Horizontal Alignment — 1) Open panel slightly and note variation in fit from side to side. Open panel about 8" to gain access to front cover. Remove track cover and cable cover, then pry off retaining clip.

NOTE — Do not operate motor with cable cover removed, as damage to cables can result.

2) Lift one cable out of guide and slide side of roof until aligned. Place cable in guide and replace clip with small leg forward. Install covers and check operation.

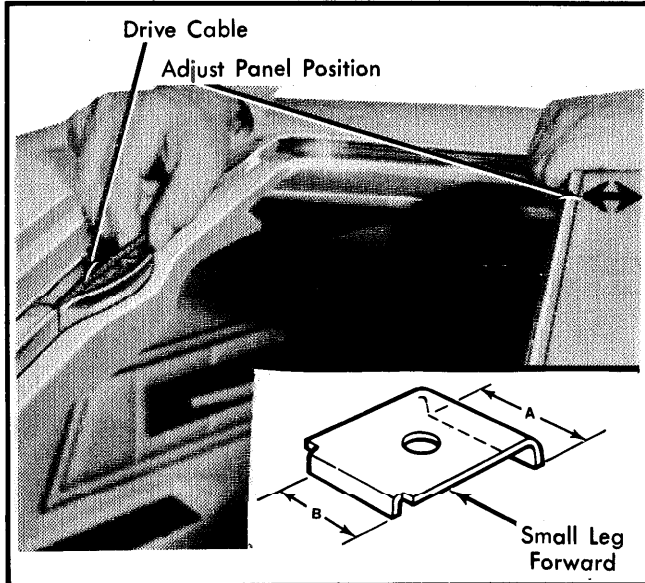


Fig. 1 Roof Panel Horizontal Adjustment

Vertical Alignment — 1) Remove halo moulding from sliding panel by moving shade to rear and glass panel half-open. Remove 3 screws and pull halo moulding down and sideways. To adjust front of panel, loosen forward track retaining screws. Rotate adjuster as necessary and tighten screws.

2) To adjust rear of panel, loosen rear slide adjusting nut. Raise or lower panel to correct position and tighten adjusting nut.

REMOVAL & INSTALLATION

ROOF PANEL AND TRIM

Removal — 1) Move glass panel to half-open position and sun shade to rear position. Remove 3 screws from halo moulding and pull moulding down and sideways. Move glass panel fully open, pull sun shade forward and bow it upward in the front. Pull up and out of roof opening.

2) Remove 2 screws from the sliding assemblies on each side of sliding panel. Release rear tension springs by rotating to in-board position.

3) Remove 2 screws from rear slides on both sides. Remove mounting bracket to panel retainers from tabs in panel. Remove glass panel.

Installation — To install, reverse removal procedure and align roof panel horizontally and vertically.

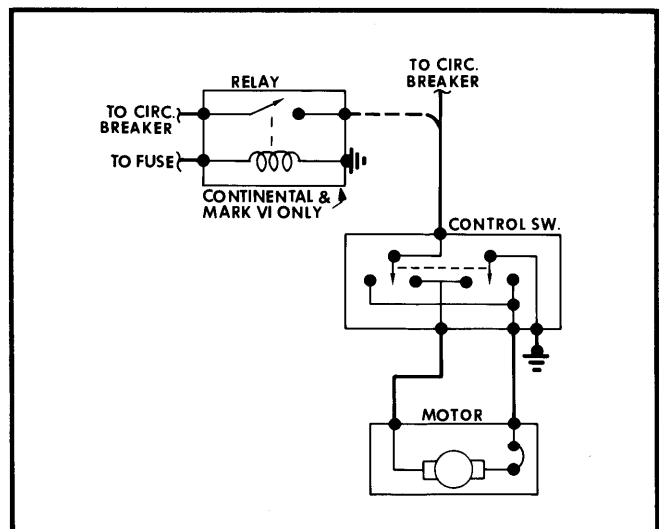


Fig. 2 Power Roof Panel Wiring Diagram